



# R.A. RODRIGUEZ (UK) LTD

28 Campus Five, Letchworth Business Park, Letchworth, Hertfordshire  
SG6 2JF

Phone: 01462 670044 Fax: 01462 670880 Email: info@raruk.com  
Web: www.rarodriguez.co.uk

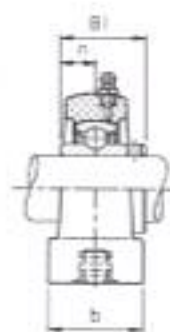
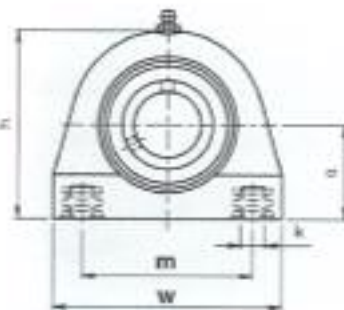
## GREENLIGN

### PLASTIC HOUSED BEARINGS



- TOUGH PRECISION MOULDED THERMOPLASTIC
- RESISTANT TO CHEMICALS
- EASILY CLEANED SMOOTH SURFACE
- NO COATING OR PLATING TO CRACK OR CHIP
- TO SUIT SHAFT SIZES 12 - 40 MM, 0.75 - 1.25 INS
- ONE OF EIGHT HOUSING TYPES
- STAINLESS STEEL BEARINGS FITTED AS STANDARD
- END COVERS STANDARD
- UCPL EQUIVALENT STAINLESS STEEL HOUSING AVAILABLE
- AVAILABLE WITH ECONOMY INSERT BEARINGS

#### UCPL



Ref	Dimensions mm ("inches)										Weight (Kg)
	d	a	b	h	m	w	k	Bi	n		
UCPL201	12	33.3	34.5	66	50.8	72.8	M8	31	12.7	0.38	
UCPL202	15	33.3	34.5	66	50.8	72.8	M8	31	12.7	0.37	
UCPL203	17	33.3	34.5	66	50.8	72.8	M8	31	12.7	0.36	
UCPL204	20	33.3	34.5	66	50.8	72.8	M8	31	12.7	0.35	
UCPL204-12	0.75"	33.3	34.5	66	50.8	72.8	M8	31	12.7	0.35	
UCPL205	25	36.5	39.5	73.5	50.8	76.2	M10	34	14.3	0.4	
UCPL205-16	1"	36.5	39.5	73.5	50.8	76.2	M10	34	14.3	0.4	
UCPL206	30	42.9	42.5	84	76.2	101	M10	38.1	15.9	0.55	
UCPL207	35	47.6	47.5	95	82.6	110	M10	42.9	17.5	0.8	
UCPL207-20	1.25"	47.6	47.5	95	82.6	110	M10	42.9	17.5	0.8	
UCPL208	40	49.2	48	100.5	88.9	120	M12	49.2	19	0.95	

