



R.A. RODRIGUEZ (UK) LTD

28 Campus Five, Letchworth Business Park, Letchworth, Hertfordshire
SG6 2JF

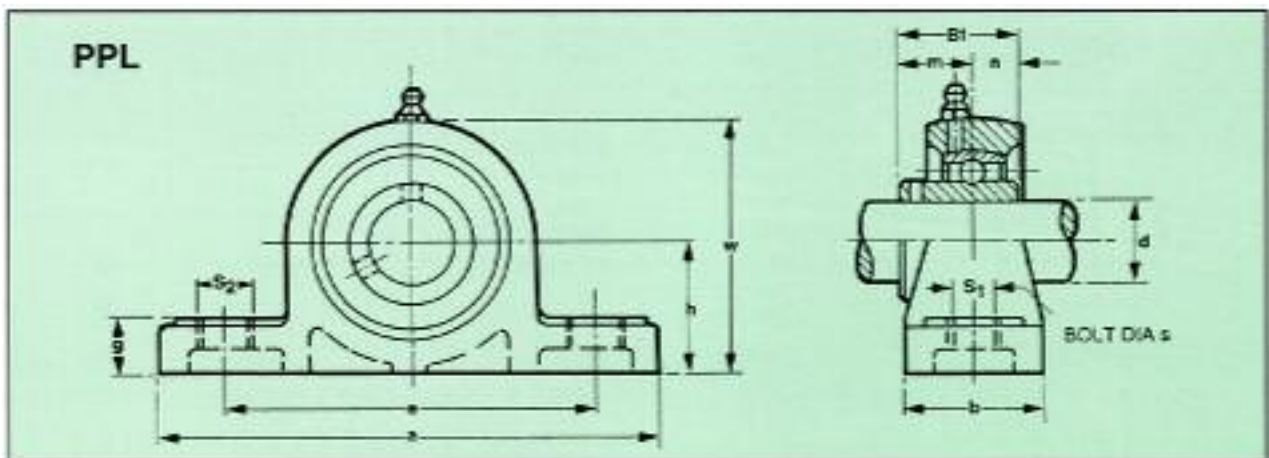
Phone: 01462 670044 Fax: 01462 670880 Email: info@raruk.com
Web: www.rarodriguez.co.uk

GREENLIGN

PLASTIC HOUSED BEARINGS



- TOUGH PRECISION MOULDED THERMOPLASTIC
- RESISTANT TO CHEMICALS
- EASILY CLEANED SMOOTH SURFACE
- NO COATING OR PLATING TO CRACK OR CHIP
- TO SUIT SHAFT SIZES 12 - 50 MM, 0.75 - 1.25 INS
- ONE OF EIGHT HOUSING TYPES
- STAINLESS STEEL BEARINGS FITTED AS STANDARD
- END COVERS STANDARD
- PPL EQUIVALENT STAINLESS STEEL HOUSING AVAILABLE
- AVAILABLE WITH ECONOMY INSERT BEARINGS



Ref	Dimensions mm ("inches)												Weight (Kg)
	d	h	a	e	s	s2	g	Bi	b	n	m	w	
PPL201	12	33.3	127	95	11	14	14.2	31	38	12.7	18.3	65.5	0.32
PPL202	15	33.3	127	95	11	14	14.2	31	38	12.7	18.3	65.5	0.31
PPL203	17	33.3	127	95	11	14	14.2	31	38	12.7	18.3	65.5	0.30
PPL204	20	33.3	127	95	11	14	14.2	31	38	12.7	18.3	65.5	0.29
PPL204-12	3/4"	33.3	127	95	11	14	14.2	31	38	12.7	18.3	65.5	0.29
PPL205	25	36.5	140.5	105	11	14	14.5	34	38	14.3	19.7	71	0.34
PPL205-16	1"	36.5	140.5	105	11	14	14.5	34	38	14.3	19.7	71	0.34
PPL206	30	42.9	163	119	14	18	17.8	38.1	36	15.9	22.2	84	0.54
PPL207	35	47.6	168	127	14	18	18	42.9	48	17.5	25.4	94.5	0.78
PPL207-20	1 1/4"	47.6	168	127	14	18	18	42.9	48	17.5	25.4	94.5	0.78
PPL208	40	49.2	184	137	14	18	19.5	49.2	54	19	30.2	99	0.97
PPL210	50	57.2	206	159	17	20	23	51.6	60	19	32.6	114	1.2

